

电池均衡器使用手册

BE-301

产品介绍:

当电池串联工作时,由于电池的化学成分、温度、自放电率的不同,使电池的电压不一致,从而引起电池失去平衡,这意味着可能一个电池超载,而另一个电池没有充分充电,随着反复充放电过程,电池电压逐渐增大,最终导致电池过早的损坏。

BE-301电池均衡器用于5组串联的电池,24小时和电池系统连接,使电流会从较高的电压流向较低的电压,让电池在充放电时保持电压相等,最终延长电池系统整体寿命。

BE301电池均衡器适用于铅酸蓄电池、磷酸铁锂电池、三元锂电池。当电压高于2.4V开始工作,这意味着均衡器可应用于2.4V-12V的单电池上。一个均衡最少连接两组串联电池,多余的线缆可以悬空,不影响均衡效果。

When the battery works in series, due to the battery's chemical composition, temperature, self-discharge the difference in the electricity rate causes the voltage of the battery to be inconsistent, thus causing the battery to lose balance. This means that one battery may be overloaded while the other is not fully charged, with the repeated charging and discharging process, the battery voltage gradually increases, eventually leading to the battery overshoot early damage.

BE-301 battery equalizer used For 5 batteries in series, connect 24 hours to the battery system so that the current will flow from the higher voltage to the lower voltage, making the battery maintain the same voltage when charging and discharging, and finally extend the overall life of the battery system.

BE-301 battery equalizer is suitable for lead-acid battery(VRLA). lithium iron phosphate batteries(LFP), ternary lithium battery, it starts work when the voltage higher than 2.4v, it means that this equalizer can be used in a single cell battery range from 2.4V to 12v. One equalizer can connect 4 batteries once a time, if battery less than the 4, the extra cable can be vacant (positive and negative terminal should be avoided), does not affect the equilibrium effects. The equalizer is not affected with battery connection way, no matter in series or in parallel, both can work.

Battery equalizer manual

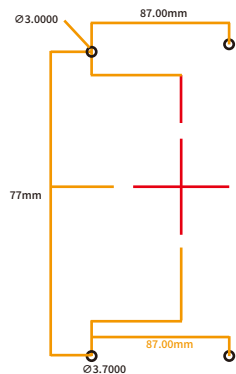
规格参数:

TECHNICAL DATA

Battery nominal voltage 电池额定电压	5 * 12V (2.4V~12V)
Working current 工作电流	0-10A
Standby current 待机电流	5mA
Diamension 产品尺寸	160*69*28mm
Working temperature 工作温度	-20°C~+50°C
Protection 保护功能	反接保护 Reverse polarity protection
Connecting line 连接线	长50cm 端子φ8mm/φ10mm Length50cm Terminalφ8mm/φ10mm

安装尺寸图:

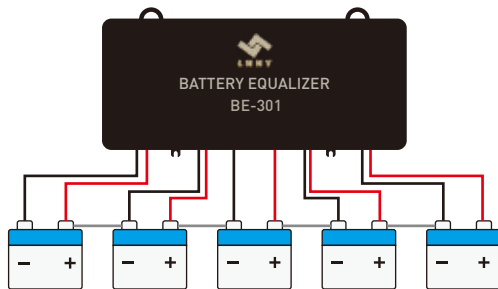
INSTALLATION SIZE



接线示意图

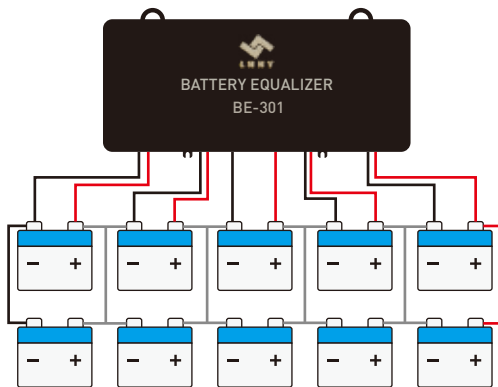
描述1: 5* 12V 电池组

Figure 1: 5* 12V battery bank



描述2: 10* 12V 电池组

Figure 2: 10* 12V battery bank



说明事项:

1. 黑色线连接串联电池组的负极
2. 红色线连接串联电池组的正极
3. 电池组少于4个时, 额外的线缆可以悬空 (应避免正反端), 不影响均衡效果。

注意事项:

1. 请阅读说明书再安装设备
2. 接入均衡器前, 请先确认电池组的正负极避免均衡器接线端之间短路

Installation

1. Black cable connect negative/- pole
2. Red cable connect positive/+ pole
3. When the battery pack is less than 5, the additional cable can be suspended (the positive and negative ends should be avoided), which does not affect the equalization effect.

Note

1. Please read the instructions before installing the equipment.
2. Before connecting to the equalizer, please confirm the positive and negative electrodes of the battery pack to avoid short circuit between the terminals of the equalizer.

湖北联鸿能源科技有限公司

地址: 湖北省襄阳市高新区汽车工业园希望路35号 (自贸区) 邮政编码: 441000

HUBEI LHNY ENERGY TECHNOLOGY.CO.,LTD.

Add:NO.35xiwang Rd(Free Trade Area),Auto Industrial park,Hi-tech District,x-
iangyang, Hubei,China Post:441000

<http://www.hblhnykj.com>

TEL:0710-3561571

FAX:0710-3561573